

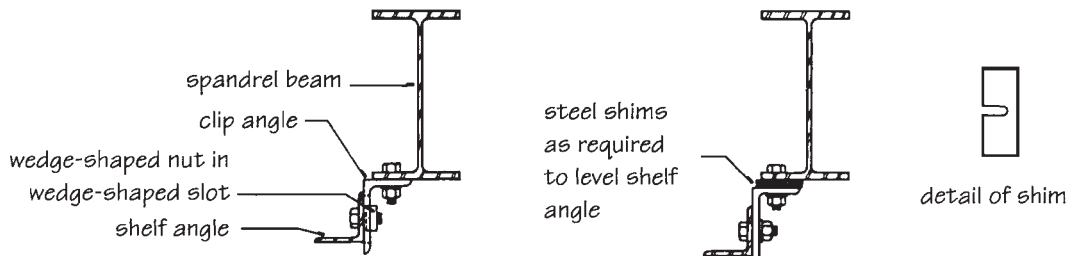
OUTWARD ADJUSTABILITY OF 2"

INWARD ADJUSTABILITY OF 1-1/2"

Allowable Slotted Hole Dimensions

Bolt Diameter (in.)	Standard Hole Diameter (in.)	Oversize Hole Diameter (in.)	Short-Slot, Width x Length (in.)	Long-Slot, Width x Length (in.)
1/2	9/16	5/8	9/16 x 11/16	9/16 x 1-1/4
5/8	11/16	13/16	11/16 x 7/8	11/16 x 1-9/16
3/4	13/16	15/16	13/16 x 1	13/16 x 1-7/8
7/8	15/16	1-1/16	15/16 x 1-1/8	15/16 x 2-3/16
1	1-1/16	1-1/4	1-1/16 x 1-5/16	1-1/16 x 2-1/2
≥1-1/8	d + 1/16	d + 5/16	(d + 1/16) x (d + 3/8)	(d + 1/16) x (2.5 d)

(From Laska, Masonry and Steel Detailing Handbook, 1993.)



ALTERNATE METHOD OF ATTACHING SHELF ANGLES

(From Allen, Fundamentals of Building Construction, 1999.)

Figure 10-67 Adjustable shelf angle connections to steel structural frame.

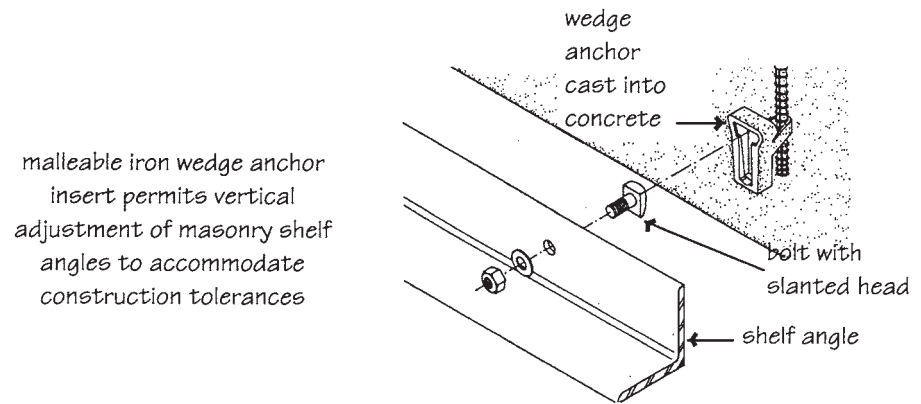


Figure 10-68 Adjustable shelf angle connection to concrete structural frame.